

High performance, cost-effective projector

# VE304XG / VE304G



## VE304XG

3,300 ANSI lumens  
3,500 Centre Lumens

XGA

2.6kg

## VE304G

3,300 ANSI lumens  
3,500 Centre Lumens

SVGA

2.6kg



Being compact in size and light weight, the VE series is easily portable, according to your needs. The excellent price performance ratio makes these projectors especially suitable for classrooms and mid-sized meeting rooms.

### Benefits

#### Great Picture Quality and Integrated Audio

Thanks to the 10,000:1 contrast and the built-in 2 W speaker.

#### Direct Power Off

This feature allows the projector to be turned off (even when projecting an image) by using the Main Power Switch or by disconnecting the AC.

#### Innovative ECO Functions

Reduce power consumption while ensuring optimal image performance and lamp life that is extended to 6,000 hours.

#### SmartSource™ 3D Ready

The projector can support the following 3D formats.

- HDMI 3D
- 120 Hz 3D (only available if your PC can output 120 Hz)
- HQFS 3D



#### Free download of multi-display management software\*

This software is an all-in-one remote support solution that runs from a central location and provides monitoring, asset management and control functionality for a majority of NEC display devices and Windows computers. It is ideal for multi-device installations over larger infrastructures.

\*NaViSet Administrator 2

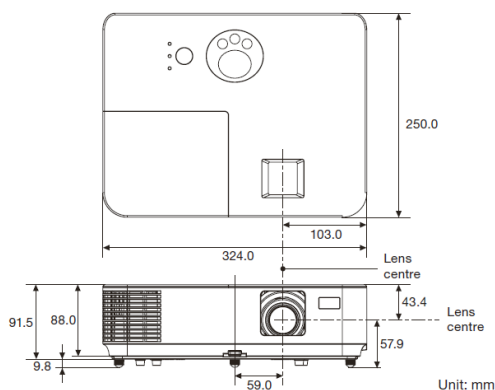


## Specifications

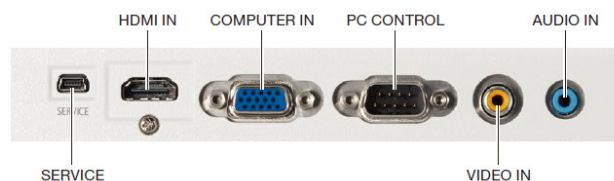
Model	NP - VE304XG	NP - VE304G
Method	Reflection by single DMD chip	
Resolution*1	1,024 × 768 (XGA)	800 × 600 (SVGA)
Lens	Manual zoom (×1.1) / Manual focus, F = 2.41 - 2.55, f = 21.8 - 24.0 mm, Throw ratio = 1.95 - 2.15	
Light source (Lamp)	ECO mode	160 W
	ECO mode off	195 W
Lamp life*2	ECO mode	6,000 H
	ECO mode off	4,500 H
Image size	30 to 300 inches	
Light output *3 *4	ECO mode off	3300 ANSI Lumens
	ECO mode	Approx. 85% of ECO off
	Centre Lumens (Eco off)	3500 Lumens
Quietness (ECO / ECO mode off )	30 dB / 34 dB	
Contrast ratio (white / black)*4	10,000:1 with dynamic contrast on	
Maximum resolution	Up to 1080p (1,920 × 1,080)	
Synchronization range	Horizontal	15 kHz to 100 kHz (RGB: 24 kHz or over )
	Vertical	50 Hz to 120 Hz (24 Hz: Blu-ray 24P)
Vertical keystone correction	Manual: ± Max 40 degrees	
Input terminals	Computer	Mini D-sub 15 pin × 1
	Video	RCA × 1
	HDMI	HDMI × 1
	Audio	Stereo mini jack × 1
Control terminals	D-sub 9 pin × 1	
USB port	Service × 1	
Built-in speaker	2 W monaural	
Usage environment	Operational temperature	5°C to 40°C, up to 80% humidity (no condensation)
	Storage temperature	-10°C to 50°C, up to 80% humidity (no condensation)
Power requirements	100 to 240 V AC, 50 Hz / 60 Hz	
Input current	2.5 A to 1.1 A	
Power consumption (100 to 130 V AC / 200 to 240 V AC)	ECO mode off	237 W / 232 W
	ECO mode	198 W / 192 W
	Standby (Normal )	0.23 W / 0.33 W
Dimensions (W × H × D)	324 × 101 × 250 mm	
	324 × 88 × 250 mm (not including protrusions)	
Weight	2.6 kg	
Accessories	Power cord, remote control, batteries, signal cable, CD-ROM (User's manual ), quick guide.	

1. Effective pixels are more than 99.99%.
2. The average time span for the brightness of the lamp to be reduced by half; does not refer to the warranty period for the lamp.
3. This is the light output value (ANSI lumens) when [PICTURE MODE] is set to [HIGH-BRIGHT] in the menu. If any other mode is selected as [PICTURE MODE], the light output value may drop slightly.
4. Compliant with ISO2118-2012

## Cabinet Dimensions



## Terminals



## Remote Control

(included accessory)



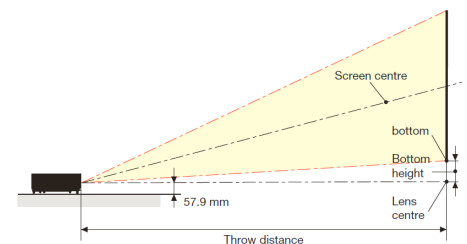
## Options

Replacement lamp

### NP45LP



## Throw Distance and Screen Size



Screen Size (W x H m)	Throw Distance (m)		Bottom Height (cm)
	Wide	Tele	
30" (0.61 × 0.46)	1.19	1.31	6.9
40" (0.81 × 0.61)	1.59	1.75	9.1
60" ( 1.22 × 0.91)	2.38	2.62	13.7
80" ( 1.63 × 1.22)	3.17	3.50	18.3
100" (2.03 × 1.52)	3.96	4.37	22.8
120" (2.44 × 1.83)	4.75	5.24	27.4
150" (3.05 × 2.29)	5.94	6.55	34.3
180" (3.66 × 2.74)	7.13	7.86	41.1
200" (4.06 × 3.05)	7.92	8.74	45.7
300" (6.10 × 4.57)	11.89	13.11	68.5

Talk to us about your needs today. Contact us at +65 6273 8333 or [multimedia@nec.com.sg](mailto:multimedia@nec.com.sg)

**SINGAPORE**  
NEC Asia Pacific Pte Ltd  
(Regional Headquarters)  
[sg.nec.com](http://sg.nec.com)



Scan the QR code to head to our APAC site for more information on our solutions and products. Follow us on these platforms for updates.

